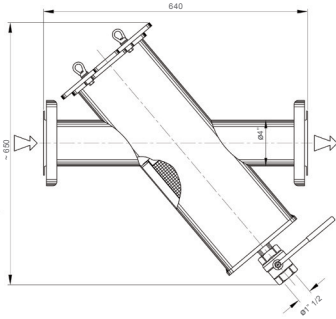
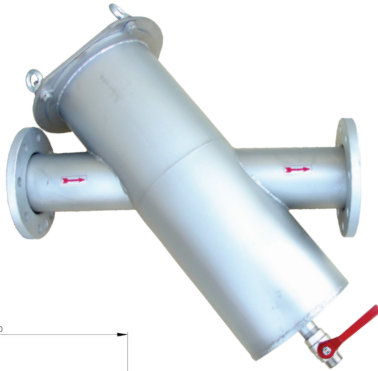


FILTRO YLS MEDIA PORTATA

MEDIUM CAPACITY LINE YLS FILTER

FILTRO YLS MEDIO CAUDAL

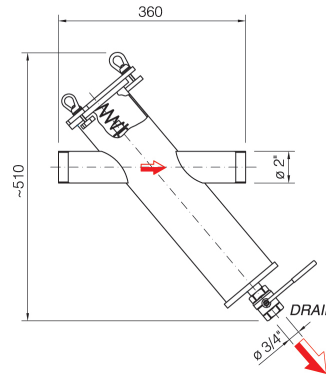
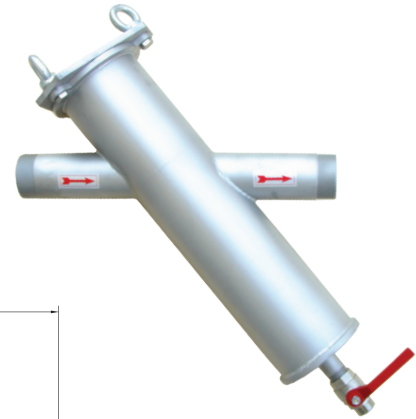


PESO 35 Kg
WEIGHT
PESO

FILTRO YMS BASSA PORTATA

LOW CAPACITY LINE YMS FILTER

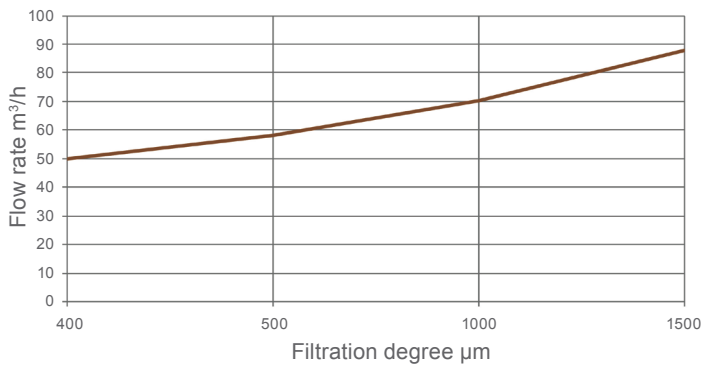
FILTRO YMS BAJO CAUDAL



PESO 8 Kg
WEIGHT
PESO

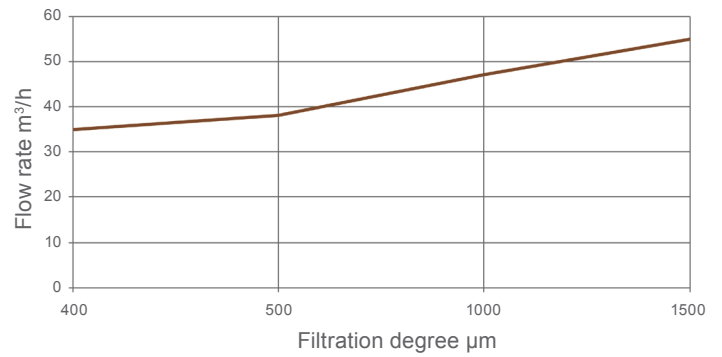
FLOW DIAGRAM WITH 1 GR/LT
OF SUSPENDED SOLID PUNCHED HOLE

Data test with H₂O at 20°C



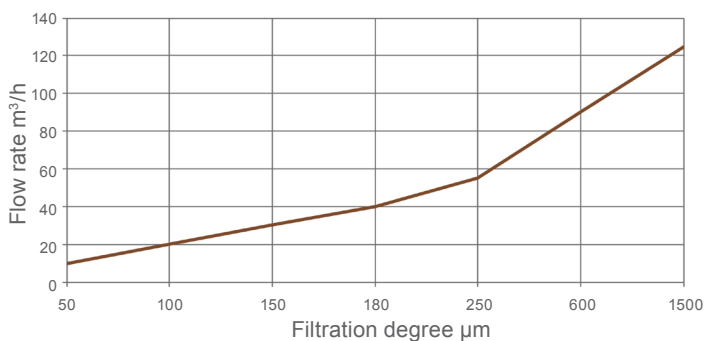
FLOW DIAGRAM WITH 1 GR/LT
OF SUSPENDED SOLID PUNCHED HOLE

Data test with H₂O at 20°C



FLOW DIAGRAM WITH 1 GR/LT
OF SUSPENDED SOLID SCREEN WIRE

Data test with H₂O at 20°C



FLOW DIAGRAM WITH 1 GR/LT
OF SUSPENDED SOLID SCREEN WIRE

Data test with H₂O at 20°C

